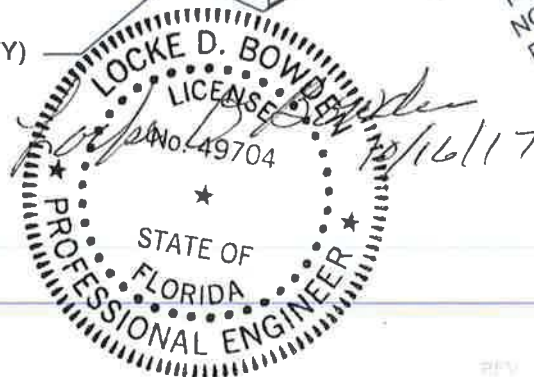
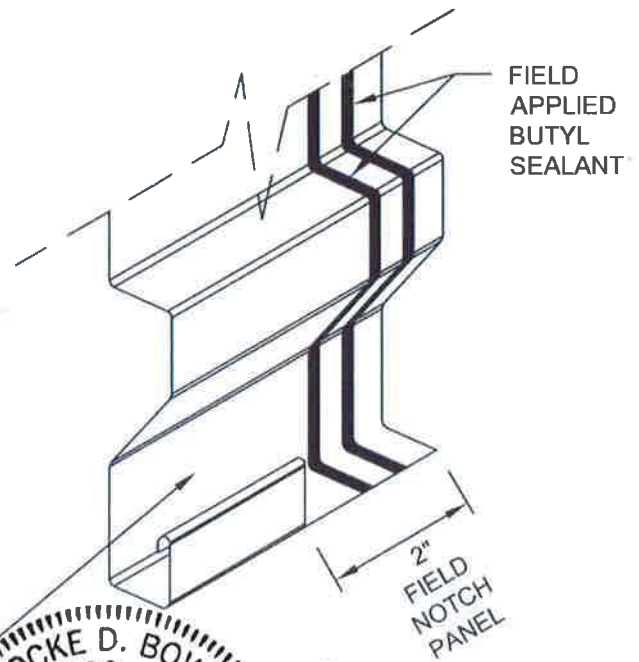
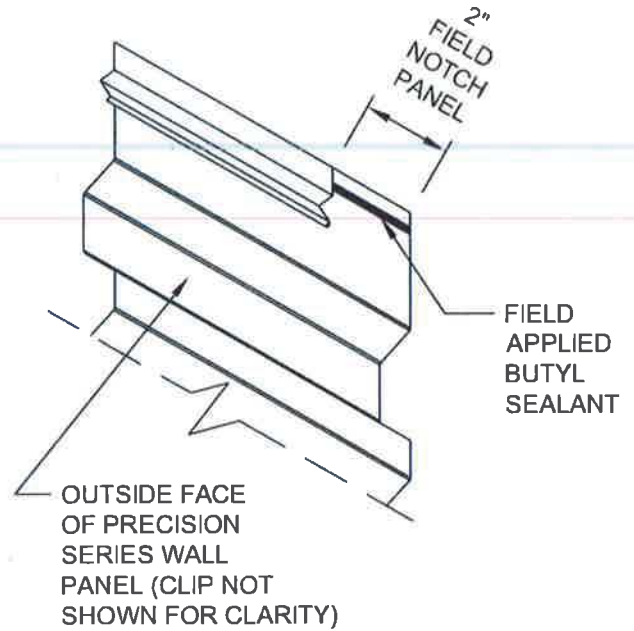
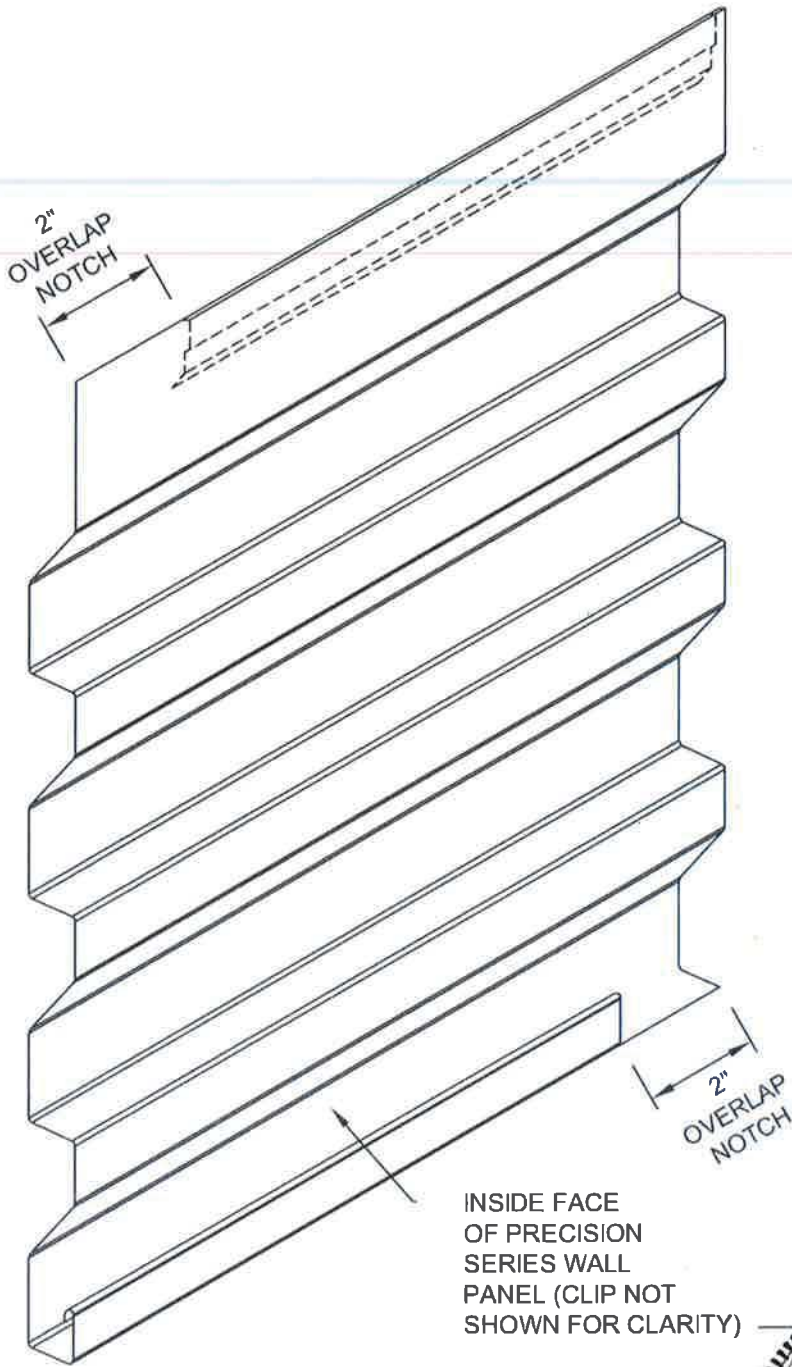


Wall Splice Detail -1



REV 10/16/17

PETERSEN ALUMINUM CORPORATION

www.pac-clad.com / email: sales@petersenmail.com

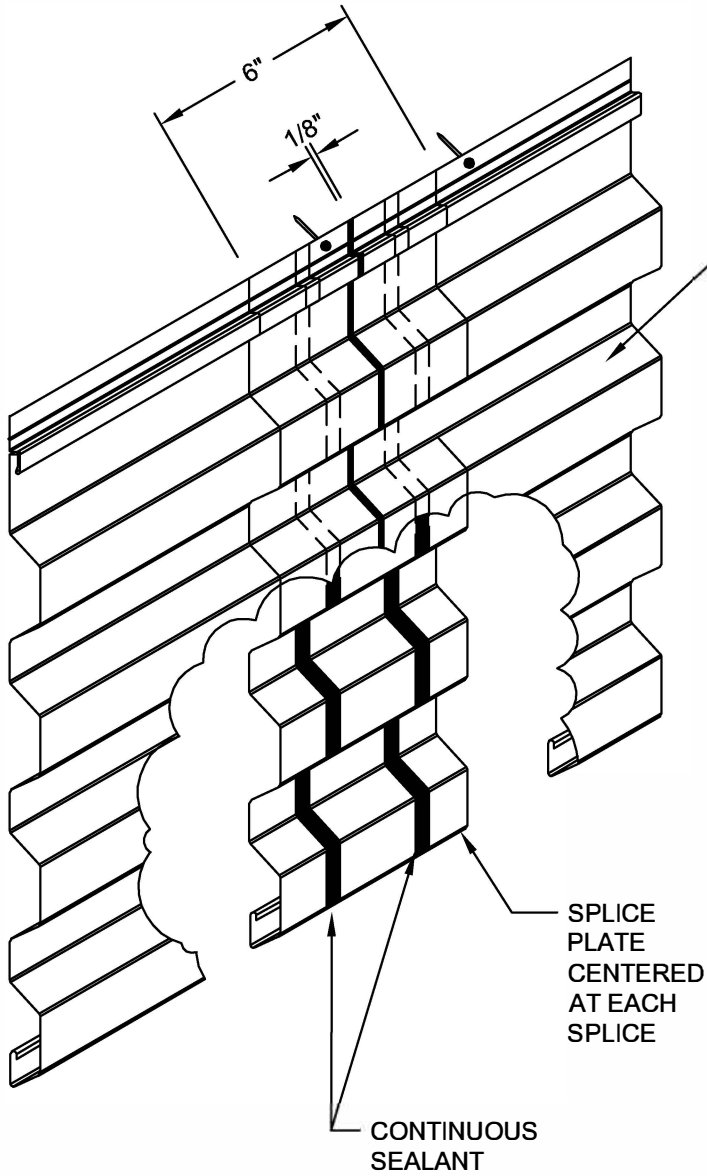
HQ: 1005 Tonne Road
Elk Grove Village, IL 60007
P: 800-PAC-CLAD
F: 800-722-7150

9060 Junction Drive
Annapolis Junction, MD 20701
P: 800-344-1400
F: 301-953-7627

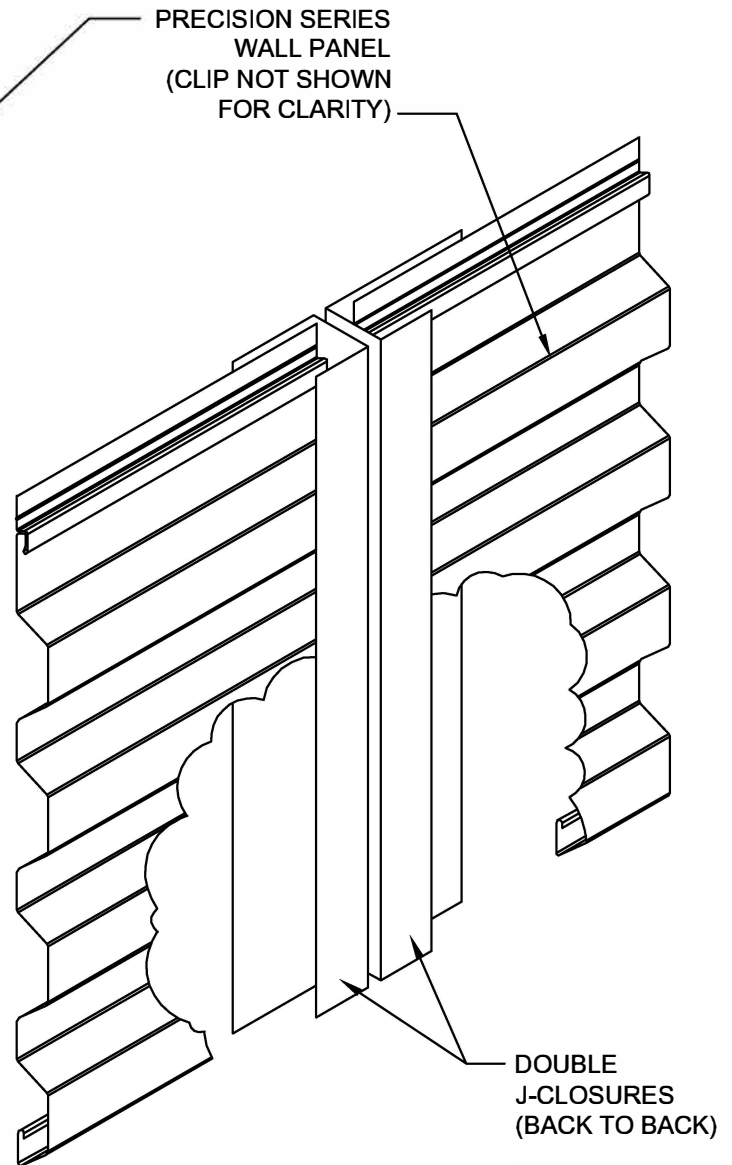
10551 PAC Road
Tyler, TX 75707
P: 800-441-8661
F: 903-581-8592

350 73rd Ave., NE, Ste 1
Fridley, MN 55432
P: 877-571-2025
F: 866-901-2935

102 Northpoint Pkwy Ext, Bldg 1, Ste 100
Acworth, GA 30102
P: 800-272-4482
F: 770-420-2533



WALL SPLICE OPTION #1



WALL SPLICE OPTION #2

Job Name:	Notes:
Date:	
Contractor:	

REV. 12/12/2012

PETERSEN ALUMINUM CORPORATION

www.pac-clad.com / email: sales@petersenmail.com

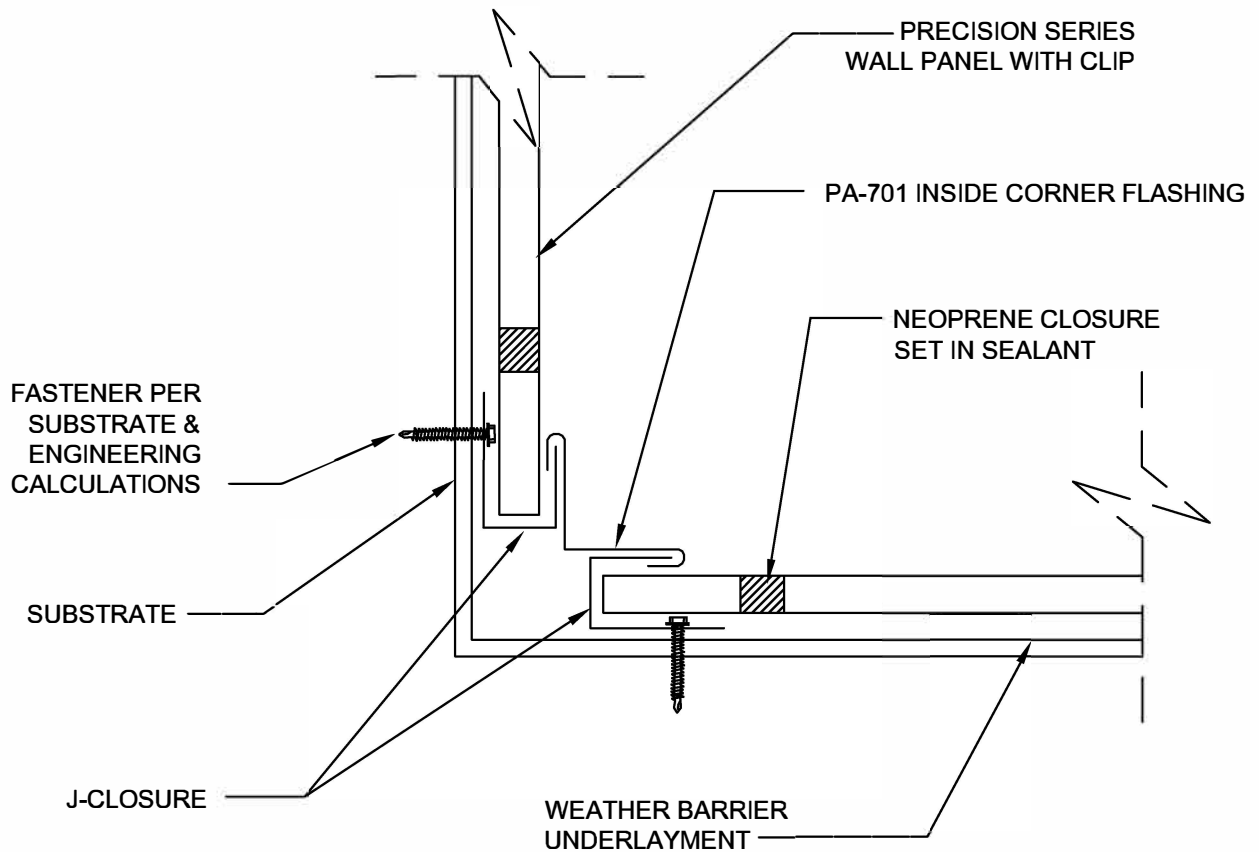
HQ: 1005 Tonne Road
Elk Grove Village, IL 60007
P: 800-PAC-CLAD
F: 800-722-7150

9060 Junction Drive
Annapolis Junction, MD 20701
P: 800-344-1400
F: 301-953-7627

10551 PAC Road
Tyler, TX 75707
P: 800-441-8661
F: 903-581-8592

350 73rd Ave., NE, Ste 1
Fridley, MN 55432
P: 877-571-2025
F: 866-901-2935

102 Northpoint Pkwy Ext, Bldg 1, Ste 100
Acworth, GA 30102
P: 800-272-4482
F: 770-420-2533



Job Name:	Notes:
Date:	
Contractor:	

REV. 12/12/2012

PETERSEN ALUMINUM CORPORATION

www.pac-clad.com / email: sales@petersenmail.com

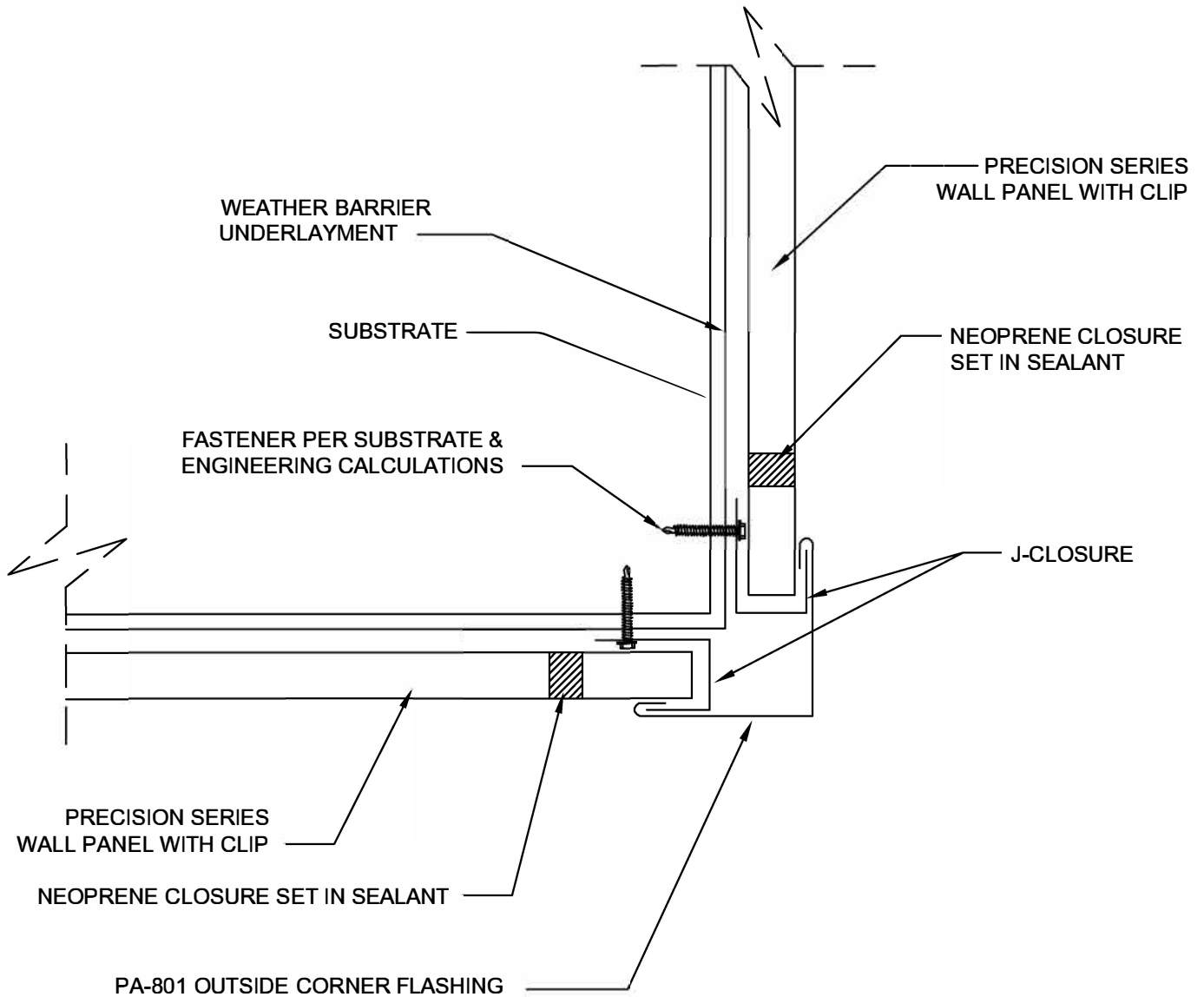
HQ: 1005 Tonne Road
Elk Grove Village, IL 60007
P: 800-PAC-CLAD
F: 800-722-7150

9060 Junction Drive
Annapolis Junction, MD 20701
P: 800-344-1400
F: 301-953-7627

10551 PAC Road
Tyler, TX 75707
P: 800-441-8661
F: 903-581-8592

350 73rd Ave., NE, Ste 1
Fridley, MN 55432
P: 877-571-2025
F: 866-901-2935

102 Northpoint Pkwy Ext, Bldg 1, Ste 100
Acworth, GA 30102
P: 800-272-4482
F: 770-420-2533



Job Name:	
Date:	
Contractor:	
Notes:	

REV. 12/12/2012

PETERSEN ALUMINUM CORPORATION

www.pac-clad.com / email: sales@petersenmail.com

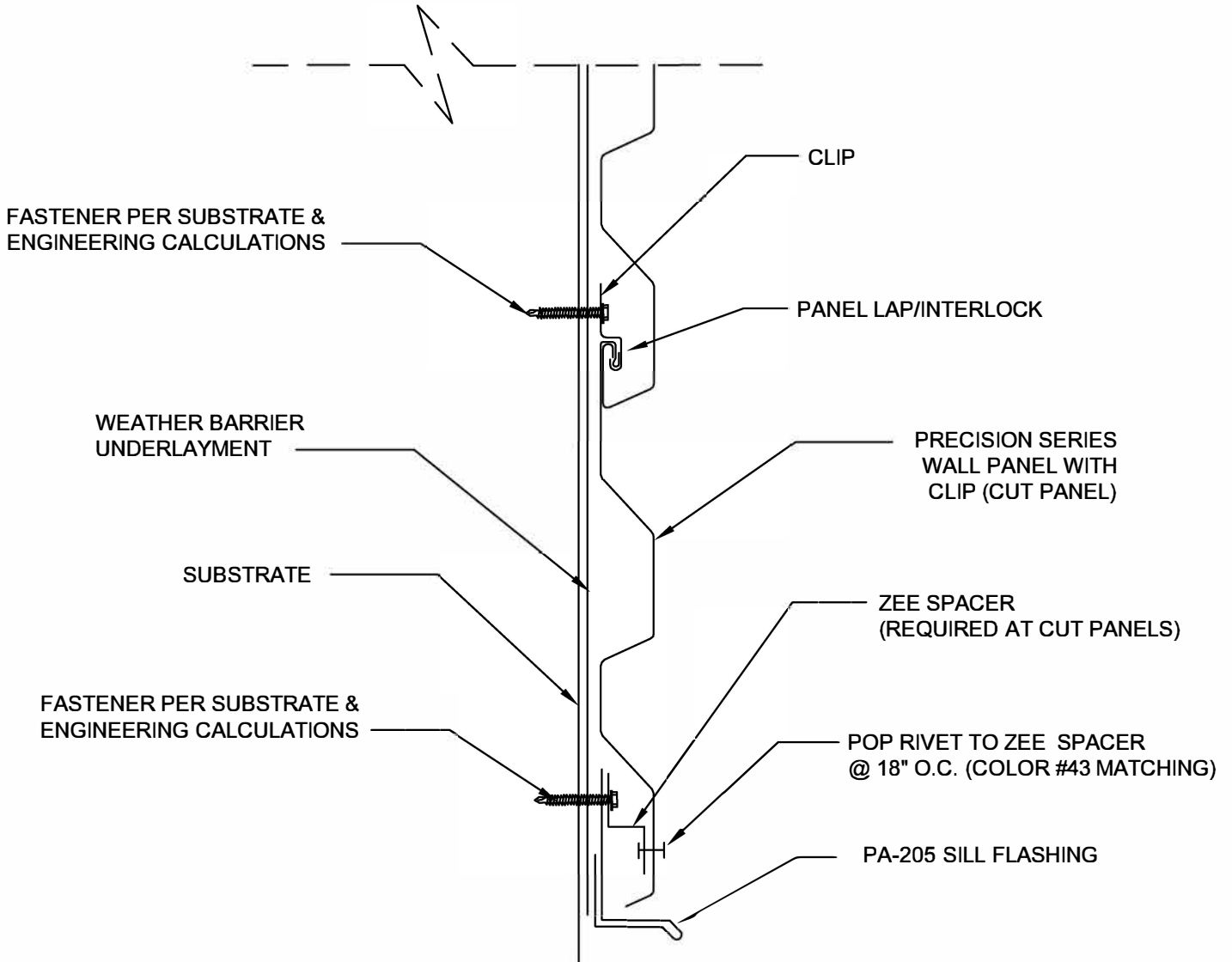
HQ: 1005 Tonne Road
Elk Grove Village, IL 60007
P: 800-PAC-CLAD
F: 800-722-7150

9060 Junction Drive
Annapolis Junction, MD 20701
P: 800-344-1400
F: 301-953-7627

10551 PAC Road
Tyler, TX 75707
P: 800-441-8661
F: 903-581-8592

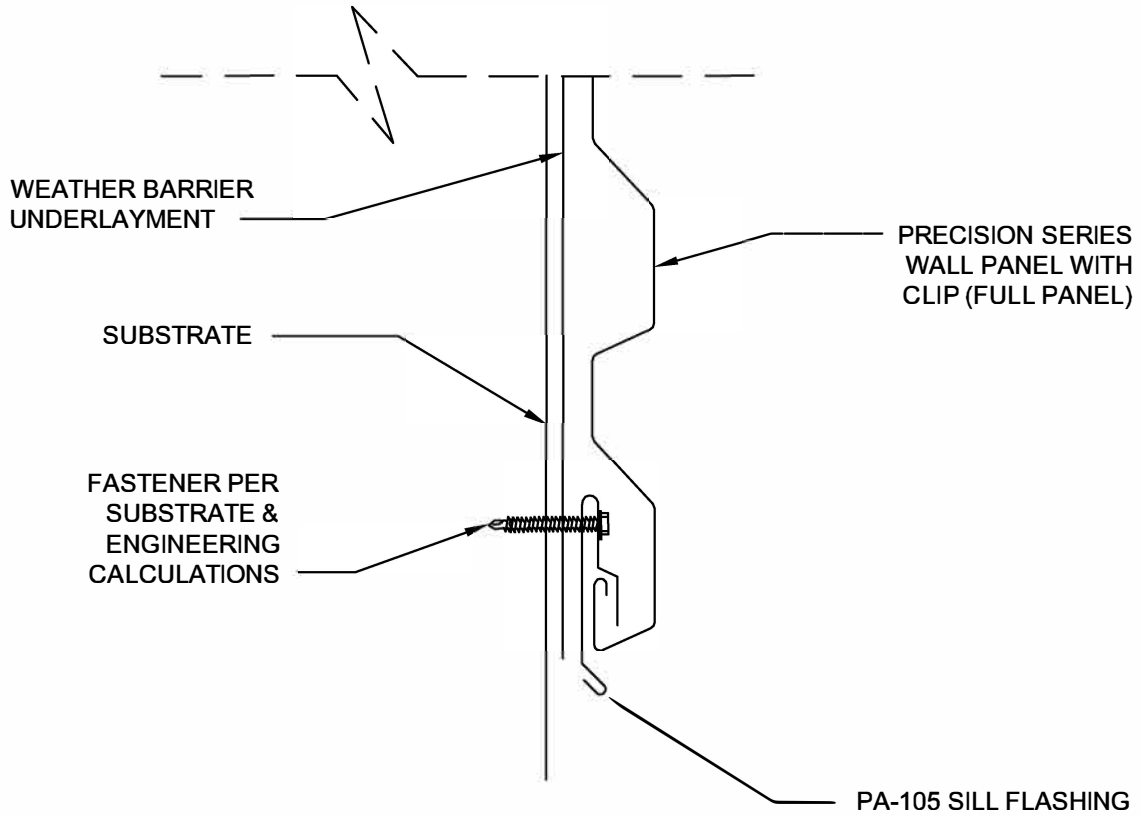
350 73rd Ave., NE, Ste 1
Fridley, MN 55432
P: 877-571-2025
F: 866-901-2935

102 Northpoint Pkwy Ext, Bldg 1, Ste 100
Acworth, GA 30102
P: 800-272-4482
F: 770-420-2533



Job Name:	Notes:
Date:	
Contractor:	

REV. 12/12/2012



Job Name:	Notes:
Date:	
Contractor:	

REV. 12/12/2012

PETERSEN ALUMINUM CORPORATION
www.pac-clad.com / email: sales@petersenmail.com

 HQ: 1005 Tonne Road
 Elk Grove Village, IL 60007
 P: 800-PAC-CLAD
 F: 800-722-7150

 9060 Junction Drive
 Annapolis Junction, MD 20701
 P: 800-344-1400
 F: 301-953-7627

 10551 PAC Road
 Tyler, TX 75707
 P: 800-441-8661
 F: 903-581-8592

 350 73rd Ave., NE, Ste 1
 Fridley, MN 55432
 P: 877-571-2025
 F: 866-901-2935

 102 Northpoint Pkwy Ext, Bldg 1, Ste 100
 Acworth, GA 30102
 P: 800-272-4482
 F: 770-420-2533